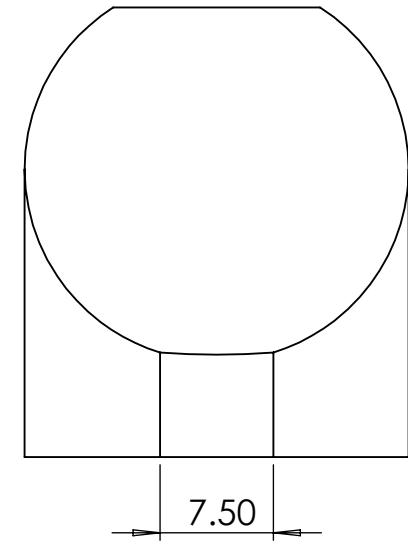
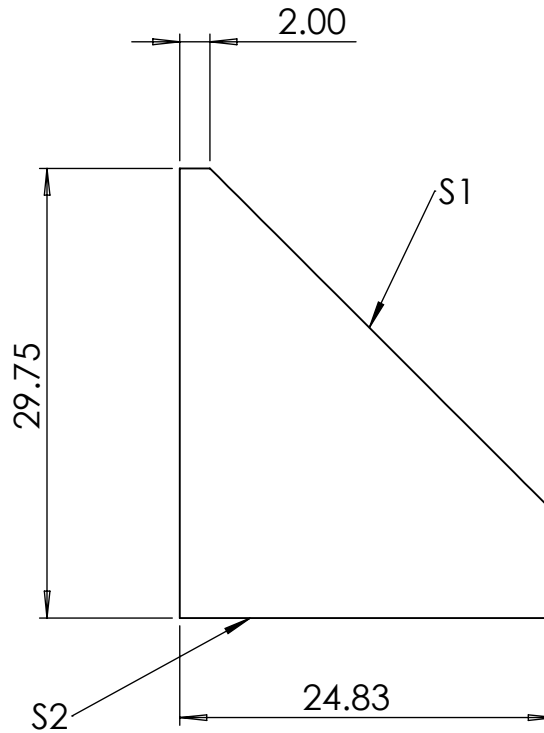
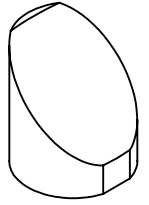


NOTES:

1. SUBSTRATE:
UV FUSED SILICA
2. COATING (APPLY ACROSS COATING APERTURE)

S1&S2: NONE
SURFACE ROUGHNESS: $\lt; 1 \text{ \AA}$ RMS
3. FOCAL LENGTH TOLERANCE: $\pm 1\%$
4. ROHS: COMPLIANT



**FOR INFORMATION ONLY:
DO NOT MANUFACTURE
PARTS TO THIS DRAWING**

SPECIFICATIONS SUBJECT TO CHANGE WITHOUT NOTICE
DIMENSIONS ARE FOR REFERENCE ONLY

	S1
SHAPE	PARABOLIC
SURFACE FIGURE AT 632.8NM (RMS)	$\lambda/8$
CLEAR APERTURE	90%
BEVEL	PROTECTED AS NEEDED



ALL DIMS IN mm

EO® Edmund Optics®

TITLE

25.4 x 50.8mm EFL 90° Uncoated
Off-Axis Parabolic Mirror

DWG NO

18660

SHEET
1 OF 1